

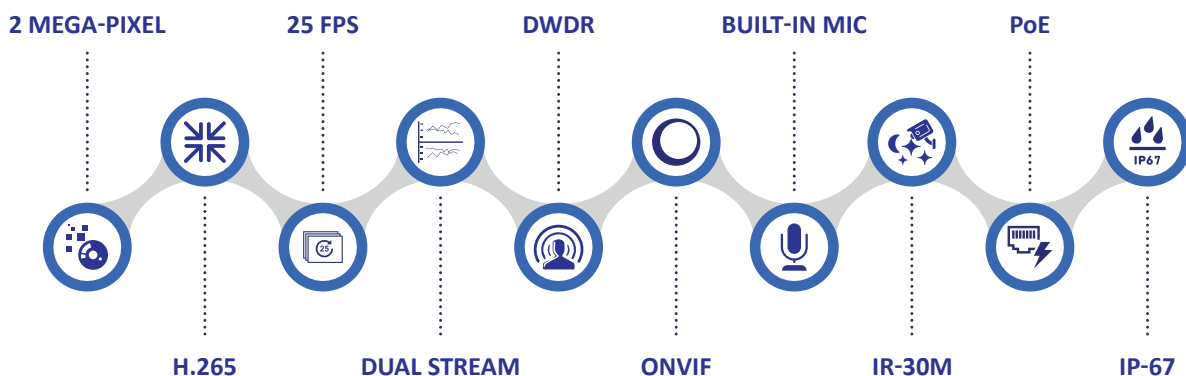


2MP Fixed Lens Network Bullet Camera

Model
ASCG-PB2F3M

FEATURES

- 2MP 1/2.8" CMOS IMAGE SENSOR, LOW LUMINANCE AND HIGH-DEFINITION IMAGE
- 3.6MM FIXED WIDE COVERAGE LENS, LOW-LIGHT COLOR: 0.01LUX@F1.6
- IMAGE ENHANCEMENT : DWDR, HLC, BLC, AWB, ANTI-FLICKER
- VIDEO COMPRESSION: H.265, H.264, MJPEG SUPPORTED
- MAXIMUM RESOLUTION 2MP 1920×1080 @25/30 FPS
- DUAL STREAM ENCODING SYSTEM SUPPORTED
- BUILT-IN MICROPHONE, ONE-WAY-AUDIO
- IP67-RATED WEATHER RESISTANCE
- BUILT-IN IR LEDS UP TO 30MTR
- CMS SOFTWARE: ACMS
- MOBILE APP: V720



2MP FIXED LENS NETWORK BULLET CAMERA

AVAIVI's 2MP fixed lens network bullet camera is your trusted partner in modern surveillance and security solutions. With a crisp 2-megapixel resolution and a fixed lens, this camera offers high-quality video capture for a wide range of applications, from home security to commercial monitoring. Its compact and unobtrusive bullet design makes it an ideal choice for discreet yet effective surveillance.

Equipped with advanced network connectivity, the camera enables remote monitoring and control, providing real-time access to your footage from anywhere. Its durable construction ensures reliability in various environmental conditions, making it a dependable choice for both indoor and outdoor use.

Whether you're looking to enhance the safety of your property or keep a watchful eye on your business, AVAIVI's 2MP fixed lens network bullet camera delivers clear, reliable, and efficient surveillance that you can count on.

2 MEGA-PIXEL



AVAIVI's 2MP camera is a high-quality surveillance camera designed to capture clear and detailed video and images for various security and surveillance applications. AVAIVI's 2MP camera is a reliable choice for security and surveillance applications. With its high resolution, smart features, day and night vision capabilities, and durability, it provides an effective solution for monitoring and protecting both residential and commercial properties.



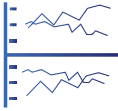
H.265 COMPRESSION TECHNOLOGY

H.265 compression technology, as implemented in AVAIVI Network Cameras, represents an advanced and optimized version of the H.265 codec. It incorporates various innovative features to enhance the efficiency of video compression while maintaining high-quality images. This technology leverages scene-adaptive encoding, dynamic ROI (Region of Interest), intelligent noise reduction, flexible multi-frame reference, and more to deliver exceptional performance in terms of bandwidth utilization and storage space efficiency. H.265+ Compression Technology in AVAIVI Network Cameras is a groundbreaking solution for achieving high-quality video while optimizing bandwidth and storage space. Its adaptive encoding, ROI-focused compression, noise reduction, and multi-frame reference techniques work in synergy to deliver superior performance. The significant reduction in bit rate and storage requirements makes it a highly efficient choice for video surveillance, offering both cost savings and enhanced storage capacity.

25 FPS



The frame rate of 30 FPS (Frames Per Second) plays a crucial role in determining the quality of recorded video in CCTV cameras. Choosing cameras with a 25/30 FPS frame rate enables users to achieve a balance between bandwidth efficiency and image detail. AVAIVI Network Cameras utilize advanced imaging technology to capture video at a consistent 25/30 FPS frame rate, delivering clear and smooth footage, especially when monitoring moderately-paced moving objects.



DUAL STREAM

The Dual Stream capability in AVAIVI Network Cameras is a powerful feature that empowers users to access two distinct video streams from a single camera, each with different resolutions, frame rates, and codecs. This functionality is particularly beneficial for dual-display setups, where it allows viewers to access multiple video streams simultaneously without burdening the client-side bandwidth and processing power. The Dual Stream feature provides users with the flexibility to tailor their video outputs according to their specific quality requirements, storage limitations, bandwidth considerations, or CPU usage constraints. Dual Stream capability in AVAIVI Network Cameras is a valuable tool for managing multiple video streams efficiently. It ensures users can access two different streams tailored to their specific requirements while conserving bandwidth and processing power. This feature is essential for a wide range of applications, from comprehensive on-site monitoring to efficient remote viewing and resource management.

DWDR



Digital Wide Dynamic Range (DWDR) is a critical technology implemented in AVAIVI Network Cameras, contributing significantly to the enhancement of image quality under varying lighting conditions. DWDR is designed to address the challenges posed by scenes with extreme variations in brightness and darkness, enabling the camera to capture clear and detailed images across the entire frame. Digital Wide Dynamic Range (DWDR) in AVAIVI Network Cameras is a critical technology for achieving high-quality image capture in scenarios with varying light levels. Its adaptive processing and dynamic range expansion capabilities make it a versatile choice for surveillance applications in which maintaining image clarity and detail across the entire frame is essential.

ONVIF S, T

AVAIVI Security Systems support ONVIF profiles S and T to ensure effective interoperability of our Network Cameras with other industry products. All our IP products are 100% ONVIF compliant and support all the features like video & audio streaming, pan-tilt-zoom control & relay output, site info & configuration, event & alarm management, etc.

BUILT-IN MIC



The presence of a built-in microphone in AVAIVI Network Cameras is a valuable feature that enables seamless audio communication between operators and visitors. This microphone is not only instrumental in facilitating real-time audio interaction but also extends its functionality to serve as an effective alarm system in the event of specific incidents, such as perimeter intrusion, object removal, or loitering. Built-In Microphone feature in AVAIVI Network Cameras serves as a versatile tool for audio communication, documentation, and security enhancement. It ensures glitch-free interactions, supports audio recording, and is integrated into the camera's alarm and analytics systems, enhancing the overall effectiveness of the surveillance solution.



IR-30 m

Smart IR Technology, a feature integrated into AVAIVI Network Cameras, is designed to enhance image quality in low-light or nighttime surveillance scenarios. It achieves this by automatically adjusting the intensity of IR (Infrared) lighting to ensure high-quality images. This technology is particularly valuable in situations where the object under surveillance is positioned too close to the IR LEDs, helping to eliminate over-exposure and producing usable videos. Smart IR Technology in AVAIVI Network Cameras is a valuable feature for enhancing image quality in low-light and nighttime surveillance situations. By intelligently adjusting the IR lighting intensity, it prevents over-exposure and ensures that the camera captures usable, high-quality videos even when objects are close to the IR LEDs. This technology is instrumental for a wide range of security and surveillance applications.

POWER OVER ETHERNET (PoE)



AVAIVI's Power Over Ethernet (PoE) camera is a network camera that is designed to be powered and connected to the network using PoE technology. These cameras offer the convenience of a single-cable solution for both power and data transmission, simplifying installation and reducing costs. AVAIVI's PoE cameras provide a practical and cost-effective solution for powering and connecting network cameras in a wide range of surveillance scenarios. Their reliability, remote management capabilities, and adherence to industry standards make them a valuable choice for security and surveillance applications.



IP67

IP67

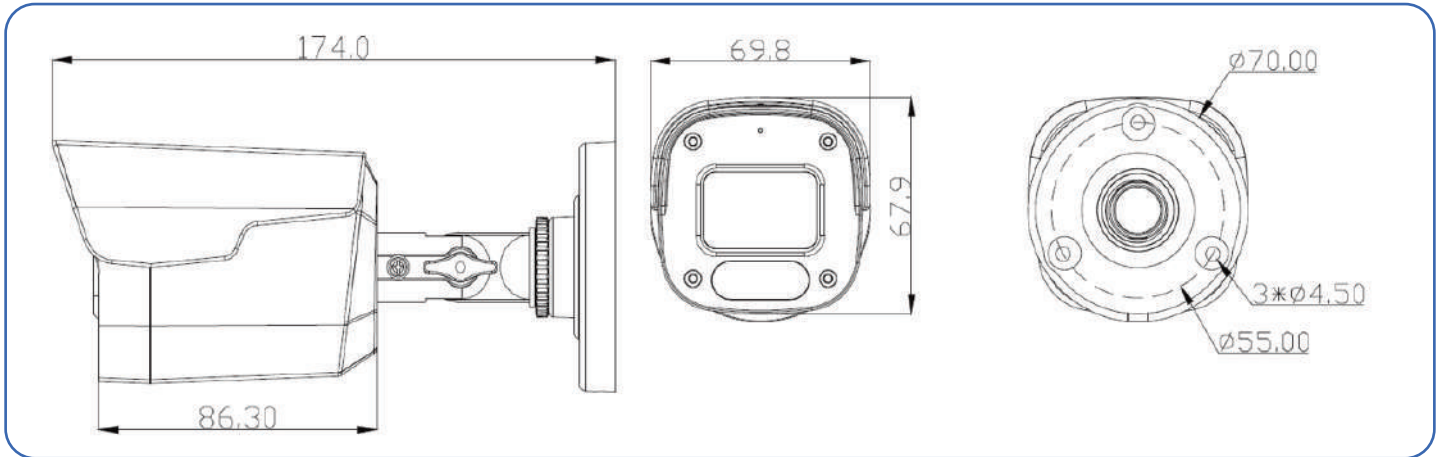
AVAIVI's IP67 rated CCTV camera is a high-quality surveillance camera designed to meet the IP67 Ingress Protection standard for protection against solids and liquids. This camera is ideal for outdoor and challenging environments where protection against dust and water ingress is critical. AVAIVI's IP67 rated CCTV camera is a reliable choice for various surveillance applications, especially in settings where protection against dust and water is essential. Whether you need to monitor a parking lot, industrial site, or any outdoor area, AVAIVI's IP67 camera can provide dependable security and surveillance solutions.

2MP FIXED LENS NETWORK BULLET CAMERA

Camera	
Image Sensor	1/2.8" Progressive Scan CMOS (0.357)
Maximum Resolution	1920 (H) × 1080 (V)
Signal System	PAL/NTSC
Min. Illumination	Color: 0.01Lux@F1.4, B/W: 0Lux with IR on
Shutter Speed	Auto: 1/3-1/100000Sec
Day/Night	Dual IR Cut Filter with Auto Switch
S/N Ratio	>60dB
Angle Adjustment	Pan 0 ~ 345°, Tilt 0 ~ 75°, Rotation 0 ~ 360°
Lens	
Lens Type	Fixed
Focal Length	3.6mm
Lens Mount	M12
Optical Zoom	N/A
Digital Zoom	16x Digital Zoom
Field of View	Horizontal: 73°, Vertical: 40°, Diagonal: 88°
Aperture	F1.4
Iris Type	Fixed Iris
Video	
Video Compression	H.265, H.264, MJPEG
Streaming Capability	Dual Streams Individually Configurable
Main Stream	PAL: 25/30fps (1920×1080, 1280×720)
Sub Stream	PAL: 25/30fps (720x480, 604x360, 352x288)
Third Stream	N/A
Video Bit Rate	32Kbps~16384Kbps (CBR/VBR Adjustable)
Image	
Wide Dynamic Range (WDR)	DWDR
Back Light Compensation (BLC)	Supported
High Light Compensation (HLC)	Supported
Picture Overlay	N/A
Auto Exposure	Auto Level Control
Image Setting	Saturation, Brightness, Contrast, Sharpness, Image Rotation
Image Enhancement Function	AWB, AGC
Noise Reduction	3D DNR
Smart Defog	N/A
Privacy Masking	Supported (3 Regions)
ROI	N/A
EIS	N/A
Audio	
Audio Compression	G.711A/G.711U
Audio Streaming	One-Way Audio
Audio Input	N/A
Audio Output	N/A
Built-in-Mic	Supported
Built-in Speaker	N/A
Smart Events	
Event Trigger	Motion Detection Video
Content Analytics (VCA)	Intrusion Detection
Local Storage	
Memory Card Slot	N/A
ANR	N/A
Alarm Interface	
Alarm Input	N/A
Alarm Output	N/A

Network	
Ethernet	1 x RJ45 10M/100M Self Adaptive Ethernet Port
IP Support	Static, Dynamic
Protocol	TCP/IP, IPv4/v6, ICMP, HTTP, HTTPS, FTP, DHCP, DNS, DDNS, RTP, RTSP, RTCP, PPPoE, NTP, SMTP, UDP, Qos, 802.1x, PPPoE, P2P
IP Address Filtering	N/A
Multi Level User ID/ Password	Supported
SIP/VoIP	N/A
Web Viewer	IE, Chrome, Firefox, Safari
Management Software	ACMS
Mobile Application	V720
P2P Cloud	Supported
System Compatibility	Onvif Profile S, T
User/Host	10
Illuminator	
IR LEDs	2
IR Distance	Up to 30m (98.42 ft.)
Wavelength	850nm
White/Warm light LEDs	N/A
Environmental	
Power Supply	PoE (802.3af), DC-12V
Power Consumption	3.7W Max. (With IR on)
Operating Temperature	-20°C~60°C, Less than 95% RH
Ingress Protection	IP67
Vandal Resistance	N/A
Heater	N/A
Casing	Plastic
Dimensions	174 × 67.9mm x 69.8
Weight	218g

EXPLODED VIEW



ABOUT AVAIVI

AVAIVI is a dynamic and innovative DPIIT recognised Startup Company for its commitment to driving excellence, fostering innovation, and contributing to Bharat's burgeoning entrepreneurial landscape. AVAIVI specialises in providing cutting-edge Audio-Visual Solutions, AI-based Software and Security & Surveillance Technology.

AV Technology: AVAIVI's state-of-the-art audio-visual solutions redefine how information is presented and shared. Our innovative AV solutions include interactive displays, digital signage, audio systems, and immersive multimedia experiences.

AI Software Suite: From predictive analytics to process optimization, our AI-based software applications empower organizations to make informed decisions, streamline operations, and stay ahead in a rapidly evolving digital landscape.

Video Surveillance: AVAIVI's expertise in CCTV security surveillance technology goes beyond traditional monitoring. Our comprehensive solutions encompass advanced camera systems, intelligent video analytics, and remote monitoring capabilities.

Disclaimer: The information provided in this product datasheet is intended for general informational purposes only. While we strive to ensure the accuracy and reliability of the information presented. It is important to note that product specifications and features may change without prior notice.