

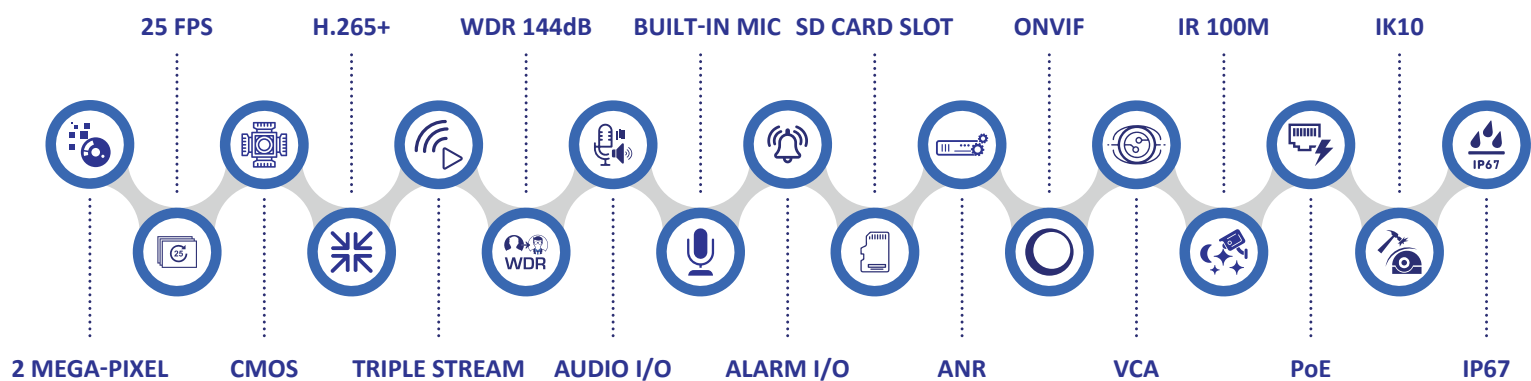


## 2MP Motorised Network Bullet Camera

Model  
**ASCY-EB2M10M-ASL**

### FEATURES

- 2MP 1/2.7" CMOS IMAGE SENSOR, LOW LUMINANCE AND HIGH-DEFINITION IMAGE
- 5-50MM MOTORISED AUTO-FOCUS LENS , LOW-LIGHT COLOR: 0.001LUX@F1.4
- IMAGE ENHANCEMENT: WDR144DB, HLC, BLC, AWB, AGC, DEFOG, ROI
- VIDEO COMPRESSION: H.265+, H.265, H.264 SUPPORTED
- MAXIMUM RESOLUTION 2MP 1920×1080 @25/30 FPS
- TRIPLE STREAM ENCODING SYSTEM SUPPORTED
- MICRO SD-CARD SLOT SUPPORT UP TO 512G
- SUPPORT AUDIO IN/OUT & ALARM IN/OUT
- BUILT-IN MICROPHONE, TWO-WAY-AUDIO
- POWER OVER ETHERNET (POE) SUPPORT
- IP67-RATED WEATHER RESISTANCE
- IK10- RATED VANDAL RESISTANCE
- BUILT-IN IR LEDS UP TO 100MTR
- MOBILE APP: VIDEOSIGHT
- CMS SOFTWARE: AVAIVI-CMS



## 2MP MOTORISED NETWORK BULLET CAMERA

AVAIVI's 2MP motorised network bullet camera is your trusted partner in modern surveillance and security solutions. With a crisp 2-megapixel resolution and a motorised, this camera offers high-quality video capture for a wide range of applications, from home security to commercial monitoring. Its compact and unobtrusive bullet design makes it an ideal choice for discreet yet effective surveillance.

Equipped with advanced network connectivity, the camera enables remote monitoring and control, providing real-time access to your footage from anywhere. Its durable construction ensures reliability in various environmental conditions, making it a dependable choice for both indoor and outdoor use.

Whether you're looking to enhance the safety of your property or keep a watchful eye on your business, AVAIVI's 2MP motorised network bullet camera delivers clear, reliable, and efficient surveillance that you can count on.



### 2 MEGA-PIXEL

AVAIVI's 2MP camera is a high-quality surveillance camera designed to capture clear and detailed video and images for various security and surveillance applications. AVAIVI's 2MP camera is a reliable choice for security and surveillance applications. With its high resolution, smart features, day and night vision capabilities, and durability, it provides an effective solution for monitoring and protecting both residential and commercial properties.

### 25 FPS



The frame rate of 30 FPS (Frames Per Second) plays a crucial role in determining the quality of recorded video in CCTV cameras. Choosing cameras with a 25/30 FPS frame rate enables users to achieve a balance between bandwidth efficiency and image detail. AVAIVI Network Cameras utilize advanced imaging technology to capture video at a consistent 25/30 FPS frame rate, delivering clear and smooth footage, especially when monitoring moderately-paced moving objects.



### CMOS

AVAIVI's Complementary Metal-Oxide-Semiconductor (CMOS) product is a cutting-edge technology solution that plays a pivotal role in the field of integrated circuits and digital imaging. CMOS technology leverages a unique combination of complementary transistor pairs to enhance the performance and efficiency of electronic devices. With AVAIVI's CMOS technology, users can expect superior performance and energy efficiency in their electronic devices, making it a preferred choice for the most demanding applications in today's technology-driven world.

### H.265+ COMPRESSION TECHNOLOGY



H.265+ compression technology, as implemented in AVAIVI Network Cameras, represents an advanced and optimized version of the H.265 codec. It incorporates various innovative features to enhance the efficiency of video compression while maintaining high-quality images. This technology leverages scene-adaptive encoding, dynamic ROI (Region of Interest), intelligent noise reduction, flexible multi-frame reference, and more to deliver exceptional performance in terms of bandwidth utilization

and storage space efficiency. H.265+ Compression Technology in AVAIVI Network Cameras is a groundbreaking solution for achieving high-quality video while optimizing bandwidth and storage space. Its adaptive encoding, ROI-focused compression, noise reduction, and multi-frame reference techniques work in synergy to deliver superior performance. The significant reduction in bit rate and storage requirements makes it a highly efficient choice for video surveillance, offering both cost savings and enhanced storage capacity.



### TRIPLE STREAM

AVAIVI Network CCTV Cameras are equipped with the unique capability of Triple Stream, allowing a single camera to simultaneously transmit three distinct video streams with varying resolutions, frame rates, and codecs. This innovation is designed to optimize client-side bandwidth usage and processing power, offering users exceptional flexibility and extensive utility from a single camera installation. Triple Stream allows the camera to generate and send three separate video streams, each catering to different usage scenarios and requirements.

- **Main Stream:** The main stream offers video at full resolution. This is ideal for users who require the highest quality and detail in their video feeds, such as for critical monitoring applications.
- **Sub Stream:** The sub stream provides a lower resolution video feed. This is useful for applications where bandwidth conservation is a priority or when monitoring is needed on devices with limited display capabilities.
- **3rd Stream:** The third stream offers flexible resolution options, enabling users to choose between full resolution, low resolution, or dynamic resolution based on specific requirements. This adaptability is particularly valuable in scenarios where varying resolution needs may arise.

**Bandwidth and Processing Optimization:** By offering multiple streams, AVAIVI Network Cameras ensure efficient use of both network bandwidth and client-side processing power. Users can select the stream that best suits their current viewing needs, ensuring smoother video streaming without overburdening network resources.

### WIDE DYNAMIC RANGE 144dB



The Wide Dynamic Range (WDR) of 144dB, as employed by AVAIVI Network Cameras, represents a remarkable advancement in the realm of surveillance technology. This feature is dedicated to ensuring the creation of vivid and accurate color images even in the most challenging lighting conditions, where the scene may have extreme variations in brightness and darkness. AVAIVI Network Cameras, with their Wide Dynamic Range of 144dB, provide a cutting-edge solution for consistently high-quality image capture, even in the most challenging lighting conditions. This technology's advanced shutter speed control, unique chipset, and software result in vivid and accurate color images, making it an ideal choice for outdoor, high-contrast, and dynamic lighting scenarios.



### AUDIO IN/OUT

AVAIVI Network Cameras are equipped with audio input (Audio In) and audio output (Audio Out) capabilities, allowing users to connect microphones and speakers to facilitate two-way audio communication. This feature enables a range of functions related to audio, communication, and security. Audio In/Audio Out feature in AVAIVI Network Cameras provides users with two-way audio

communication capabilities. This feature can be used for live monitoring, recording, communication, and security purposes, making it a valuable addition to surveillance systems. However, it's important to use this feature responsibly and in compliance with privacy and legal requirements.

### BUILT-IN MIC



The presence of a built-in microphone in AVAIVI Network Cameras is a valuable feature that enables seamless audio communication between operators and visitors. This microphone is not only instrumental in facilitating real-time audio interaction but also extends its functionality to serve as an effective alarm system in the event of specific incidents, such as perimeter intrusion, object removal, or loitering. Built-In Microphone feature in AVAIVI Network Cameras serves as a versatile tool for audio communication, documentation, and security enhancement. It ensures glitch-free interactions, supports audio recording, and is integrated into the camera's alarm and analytics systems, enhancing the overall effectiveness of the surveillance solution.



### ALARM I/O

Alarm In/Alarm Out functionality in AVAIVI's CCTV cameras is a key feature that enhances event management and strengthens the security and surveillance capabilities of these cameras. Alarm In/Alarm Out functionality in AVAIVI's CCTV cameras is a vital component of a comprehensive security and surveillance system. It allows the cameras to respond to specific events and alarms, trigger actions, and integrate with various security devices, ultimately enhancing security and surveillance efficiency.

### SD CARD SLOT



AVAIVI Network Cameras are equipped with Edge-Based SD Card Recording support, a valuable feature that enhances the usability and reliability of these cameras. This capability not only provides an additional layer of data storage but also serves as a fail-safe in the event of network or server disruptions. Edge-Based SD Card Recording in AVAIVI Network Cameras is a pivotal feature that enhances usability and reliability. It ensures continuous data recording and acts as a safeguard during network or server issues, guaranteeing data retention in critical situations. This feature empowers users with greater control and convenience in managing and accessing recorded surveillance data.



### AUTOMATIC NETWORK REPLENISHMENT (ANR)

AVAIVI Cameras and NVRs are equipped with a valuable feature known as Automatic Network Replenishment. This feature acts as a safeguard against data loss caused by sudden internet outages. When the connection to the camera is lost, this feature triggers continuous recording on the camera itself, with the recorded videos being stored on an SD card. Once the network connection is reestablished, the NVR seamlessly retrieves the missed videos from the SD card, ensuring that no data is lost. Automatic Network Replenishment in AVAIVI NVRs is a crucial feature that ensures data continuity during network outages. By storing videos locally on an SD card and then retrieving them once the network connection is reestablished, it safeguards against data loss and ensures the completeness of the surveillance record. This feature is especially valuable for critical security applications where uninterrupted data retention is essential.



**ONVIF G, M, S, T**



AVAIVI Security Systems support ONVIF profiles G, M, S and T to ensure effective interoperability of our Network Cameras with other industry products. All our IP products are 100% ONVIF compliant and support all the features like video & audio streaming, pan-tilt-zoom control & relay output, site info & configuration, event & alarm management, etc.



**AI POWERED VIDEO CONTENT ANALYTICS**

The inbuilt AI-powered Video Analytics packs cutting-edge concepts and delivers more efficient, streamlined and hassle-free video assessment. It deploys artificial intelligence to cameras by analysing video content in real-time and fetches suitable inferences. It reliably detects, tracks and analyses object in its field of view and alerts users with preset alarms on incidents. A smart system of alarm rules out false alarms to minimum and makes surveillance from AVAIVI Network Cameras more automated requiring minimal human intervention. Clubbed with features like Advanced motion detection, Camera tampering detection, People counting, Region entrance detection, Region departure detection, Line crossing detection, Loitering detection, Human presence detection, Left Object detection, Object removal detection, etc, AVAIVI AI-Powered Video Analytics makes for a holistic and all-inclusive surveillance solution for every organization's security requirements.

**IR-100 m**



Smart IR Technology, a feature integrated into AVAIVI Network Cameras, is designed to enhance image quality in low-light or nighttime surveillance scenarios. It achieves this by automatically adjusting the intensity of IR (Infrared) lighting to ensure high-quality images. This technology is particularly valuable in situations where the object under surveillance is positioned too close to the IR LEDs, helping to eliminate over-exposure and producing usable videos. Smart IR Technology in AVAIVI Network Cameras is a valuable feature for enhancing image quality in low-light and nighttime surveillance situations. By intelligently adjusting the IR lighting intensity, it prevents over-exposure and ensures that the camera captures usable, high-quality videos even when objects are close to the IR LEDs. This technology is instrumental for a wide range of security and surveillance applications.



**POWER OVER ETHERNET (PoE)**

AVAIVI's Power Over Ethernet (PoE) camera is a network camera that is designed to be powered and connected to the network using PoE technology. These cameras offer the convenience of a single-cable solution for both power and data transmission, simplifying installation and reducing costs. AVAIVI's PoE cameras provide a practical and cost-effective solution for powering and connecting network cameras in a wide range of surveillance scenarios. Their reliability, remote management capabilities, and adherence to industry standards make them a valuable choice for security and surveillance applications.

**IK10**



AVAIVI's IK10 rated CCTV camera is a robust and highly durable surveillance camera designed to meet the IK10 standard for protection against external impacts. The IK10 rating indicates a high level of protection against vandalism and physical damage, making it an excellent choice for security in challenging environments.



**IP67**

AVAIVI's IP67 rated CCTV camera is a high-quality surveillance camera designed to meet the IP67 Ingress Protection standard for protection against solids and liquids. This camera is ideal for outdoor and challenging environments where protection against dust and water ingress is critical. AVAIVI's IP67 rated CCTV camera is a reliable choice for various surveillance applications, especially in settings where protection against dust and water is essential. Whether you need to monitor a parking lot, industrial site, or any outdoor area, AVAIVI's IP67 camera can provide dependable security and surveillance solutions.

**2MP MOTORISED NETWORK BULLET CAMERA**

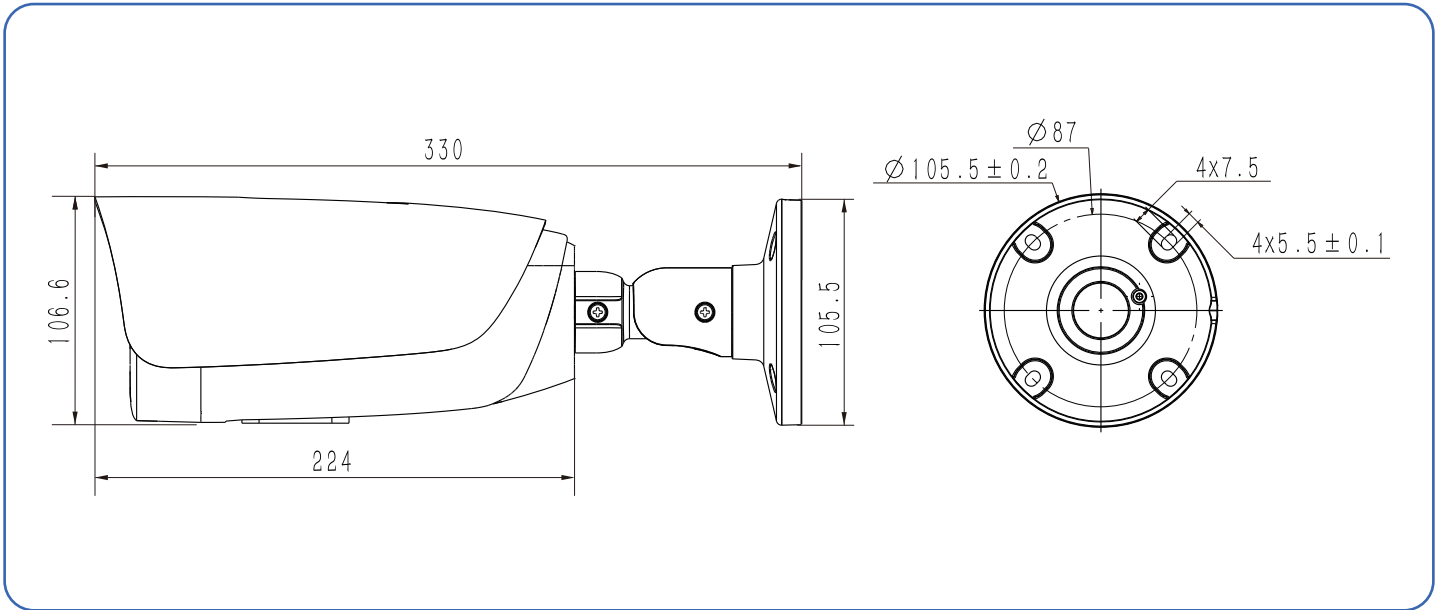
CAMERA	
Image Sensor	1/2.7" Progressive Scan CMOS (0.370)
Maximum Resolution	1920 (H) × 1080 (V)
Signal System	PAL/NTSC
Min. Illumination	Color: 0.001Lux@F1.4, B/W: 0Lux with IR on
Shutter Speed	Auto/Manual 1s ~ 1/100000s
Day/Night	Dual IR Cut Filter with Auto Switch
S/N Ratio	>60dB
Angle Adjustment	Pan 0 ~ 360°, Tilt 0 ~ 75°, Rotation 0 ~ 360°
LENS	
Lens Type	Motorised Auto-focus
Focal Length	5 ~ 50mm
Lens Mount	φ14
Optical Zoom	10x Optical Motorised Zoom
Digital Zoom	16x Digital Zoom
Field of View	Horizontal: 59.9°~5.1°, Vertical: 34.7°~2.7°, Diagonal: 66.8°~5.8°
Aperture	F1.4
Iris Type	Fixed Iris
VIDEO	
Video Compression	H.265+, H.265, H.264H, H.264M, H.264B, MJPEG
Streaming Capability	Triple Streams Individually configurable
Main Stream	PAL: 25fps (1920×1080, 1280×720, 704×576, 640×480) NTSC: 30fps (1920×1080, 1280×720, 704×480, 640×480)
Sub Stream	PAL: 25fps (704×576, 704×288, 640×360, 352×288) NTSC: 30fps (704×576, 704×288, 640×360, 352×288)

Third Stream	PAL: 25fps (704x576, 704x288, 352x288) NTSC: 30fps (704x576, 704x288, 352x288)
Video Bit Rate	32Kbps~8Mbps (CBR/VBR Adjustable)
<b>IMAGE</b>	
Wide Dynamic Range (WDR)	144dB
Back Light Compensation (BLC)	Supported
High Light Compensation (HLC)	Supported
Picture Overlay	Supported
Auto Exposure	Auto Level Control
Image Setting	Saturation, Brightness, Contrast, Sharpness, Image Rotation, Corridor Mode
Image Enhancement Function	AWB, AGC
Noise Reduction	3D DNR
Smart Defog	Supported
Privacy Masking	Supported (4 Regions)
ROI	Supported (8 Regions)
EIS	N/A
<b>AUDIO</b>	
Audio Compression	G.711A/G.711U/ADPCM_D/AAC_LC
Audio Streaming	Two-Way Audio
Audio Input	1 Channel
Audio Output	1 Channel
Built-in-Mic	Supported
Built-in Speaker	N/A
<b>SMART EVENTS</b>	
Event Trigger	Motion Detection, Mask Alarm, IP Address Conflict, Disk Full, Disk R/W Error, Event Input, Event Output, Voltage Event, Mac Address Conflict, FTP Server Exception
Video Content Analytics (VCA)	Tripwire, Double Tripwire, Perimeter-Intrusion, Enter, Leave, Wall Crossing, Object Abandon, Object Lost, Loitering, Running, Parking, Crowded Detection, Safety Helmet, Demographics-People Counting, On Duty Detection, Video Abnormal, Audio Abnormal, Heatmap, Face Capture/ Detection, Human/Vehicle Classification
<b>LOCAL STORAGE</b>	
Memory Card Slot	Built-in Micro SD card slot, up to 512GB
ANR	Supported (Only Support with AVAIVI ANR Enabled NVR)
<b>ALARM INTERFACE</b>	
Alarm Input	2 Channel
Alarm Output	1 Channel

NETWORK	
Ethernet	1 x RJ45 10M/100M Self Adaptive Ethernet Port & RS-485 Port
IP Support	Static, Dynamic
Protocol	HTTP, HTTPS, TCP/IP, UDP, UPnP, ICMP, IGMP, SNMP, DHCP, DNS, DDNS, NTP, RTSP, RTP, RTMP, SFTP, FTP, NFS, SMTP, 802.1X, QoS, IPv4, IPv6, PPPOE, SSH, SSL, Telnet, Unicast, Multicast, RTCP, ARP, P2P, SMB/CIFS
IP Address Filtering	Supported
Multi Level User ID/ Password	Supported
SIP/VoIP	N/A
Web Viewer	IE, Chrome, Firefox, Safari
Management Software	AVAIVI-CMS
Mobile Application	VideoSight
P2P Cloud	Supported
System Compatibility	Onvif Profile G, M, S, T
User/Host	5
ILLUMINATOR	
IR LEDs	5
IR Distance	Up to 100m 328.08 ft.)
Wavelength	850nm
White/Warm light LEDs	N/A
ENVIRONMENTAL	
Power Supply	PoE (802.3af), DC 12V±25%
Power Consumption	7.5W Max-PoE, 6W Max-12V (With IR on)
Operating Temperature	-40°C~60°C, Less than 95% RH
Ingress Protection	IP67
Vandal Resistance	IK10
Heater	N/A
Casing	Metal
Dimensions	330 x 114.2 x 106.6mm
Weight	1830g



EXPLODED VIEW



ABOUT AVAIVI

AVAIVI is a dynamic and innovative DPIIT recognised Startup Company for its commitment to driving excellence, fostering innovation, and contributing to Bharat's burgeoning entrepreneurial landscape. AVAIVI specialises in providing cutting-edge Audio-Visual Solutions, AI-based Software and Security & Surveillance Technology.

**AV Technology:** AVAIVI's state-of-the-art audio-visual solutions redefine how information is presented and shared. Our innovative AV solutions include interactive displays, digital signage, audio systems, and immersive multimedia experiences.

**AI Software Suite:** From predictive analytics to process optimization, our AI-based software applications empower organizations to make informed decisions, streamline operations, and stay ahead in a rapidly evolving digital landscape.

**Video Surveillance:** AVAIVI's expertise in CCTV security surveillance technology goes beyond traditional monitoring. Our comprehensive solutions encompass advanced camera systems, intelligent video analytics, and remote monitoring capabilities.

Disclaimer: The information provided in this product datasheet is intended for general informational purposes only. While we strive to ensure the accuracy and reliability of the information presented. It is important to note that product specifications and features may change without prior notice.