

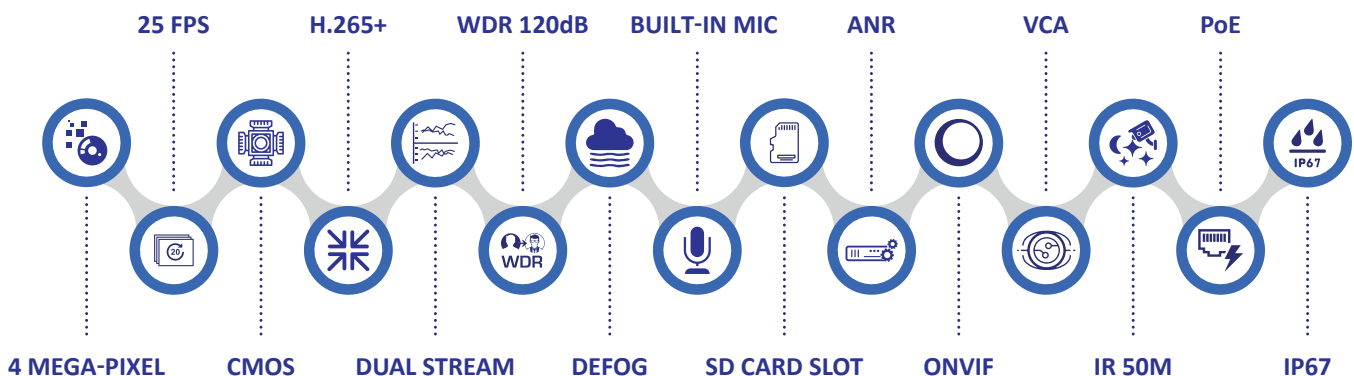


4MP Fixed Lens Network Bullet Camera

**Model
ASCY-PB4F5M-S**

FEATURES

- 4MP 1/2.7" CMOS IMAGE SENSOR, LOW LUMINANCE AND HIGH-DEFINITION IMAGE
- 2.8MM FIXED WIDE COVERAGE LENS, LOW-LIGHT COLOR: 0.001LUX@F1.4
- IMAGE ENHANCEMENT: WDR120DB, HLC, BLC, AWB, AGC, DEFOG
- VIDEO COMPRESSION: H.265+, H.265, H.264 SUPPORTED
- MAXIMUM RESOLUTION 4MP 2560×1440 @25 FPS
- DUAL STREAM ENCODING SYSTEM SUPPORTED
- MICRO SD-CARD SLOT SUPPORT UP TO 512G
- BUILT-IN MICROPHONE, ONE-WAY-AUDIO
- POWER OVER ETHERNET (POE) SUPPORT
- IP67-RATED WEATHER RESISTANCE
- BUILT-IN IR LEDS UP TO 50MTR
- MOBILE APP: VIDEOSIGHT
- CMS SOFTWARE: AVAIVI-CMS



4MP FIXED LENS NETWORK BULLET CAMERA

AVAIVI's 4MP fixed lens network bullet camera is your trusted partner in modern surveillance and security solutions. With a crisp 4-megapixel resolution and a fixed lens, this camera offers high-quality video capture for a wide range of applications, from home security to commercial monitoring. Its compact and unobtrusive bullet design makes it an ideal choice for discreet yet effective surveillance.

Equipped with advanced network connectivity, the camera enables remote monitoring and control, providing real-time access to your footage from anywhere. Its durable construction ensures reliability in various environmental conditions, making it a dependable choice for both indoor and outdoor use.

Whether you're looking to enhance the safety of your property or keep a watchful eye on your business, AVAIVI's 4MP fixed lens network bullet camera delivers clear, reliable, and efficient surveillance that you can count on.



4 MEGA-PIXEL

AVAIVI's 4MP camera is a high-resolution surveillance camera designed to deliver detailed and high-quality video and images for various security and surveillance applications. AVAIVI's 4MP camera is a versatile and reliable choice for security and surveillance applications. With its high resolution, smart features, day and night vision capabilities, and durability, it provides an effective solution for monitoring and protecting both residential and commercial properties.

25 FPS



The frame rate of 25 FPS (Frames Per Second) plays a crucial role in determining the quality of recorded video in CCTV cameras. Choosing cameras with a 25/30 FPS frame rate enables users to achieve a balance between bandwidth efficiency and image detail. AVAIVI Network Cameras utilize advanced imaging technology to capture video at a consistent 25/30 FPS frame rate, delivering clear and smooth footage, especially when monitoring moderately-paced moving objects.



CMOS

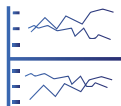
AVAIVI's Complementary Metal-Oxide-Semiconductor (CMOS) product is a cutting-edge technology solution that plays a pivotal role in the field of integrated circuits and digital imaging. CMOS technology leverages a unique combination of complementary transistor pairs to enhance the performance and efficiency of electronic devices. With AVAIVI's CMOS technology, users can expect superior performance and energy efficiency in their electronic devices, making it a preferred choice for the most demanding applications in today's technology-driven world.

H.265+ COMPRESSION TECHNOLOGY



H.265+ compression technology, as implemented in AVAIVI Network Cameras, represents an advanced and optimized version of the H.265 codec. It incorporates various innovative features to enhance the efficiency of video compression while maintaining high-quality images. This technology leverages scene-adaptive encoding, dynamic ROI (Region of Interest), intelligent noise reduction, flexible multi-frame reference, and more to deliver exceptional performance in terms of bandwidth utilization

and storage space efficiency. H.265+ Compression Technology in AVAIVI Network Cameras is a groundbreaking solution for achieving high-quality video while optimizing bandwidth and storage space. Its adaptive encoding, ROI-focused compression, noise reduction, and multi-frame reference techniques work in synergy to deliver superior performance. The significant reduction in bit rate and storage requirements makes it a highly efficient choice for video surveillance, offering both cost savings and enhanced storage capacity.



DUAL STREAM

The Dual Stream capability in AVAIVI Network Cameras is a powerful feature that empowers users to access two distinct video streams from a single camera, each with different resolutions, frame rates, and codecs. This functionality is particularly beneficial for dual-display setups, where it allows viewers to access multiple video streams simultaneously without burdening the client-side bandwidth and processing power. The Dual Stream feature provides users with the flexibility to tailor their video outputs according to their specific quality requirements, storage limitations, bandwidth considerations, or CPU usage constraints. Dual Stream capability in AVAIVI Network Cameras is a valuable tool for managing multiple video streams efficiently. It ensures users can access two different streams tailored to their specific requirements while conserving bandwidth and processing power. This feature is essential for a wide range of applications, from comprehensive on-site monitoring to efficient remote viewing and resource management.

WIDE DYNAMIC RANGE 120dB



The Wide Dynamic Range (WDR) of 120dB, a prominent feature in AVAIVI Network Cameras, represents a significant advancement in the field of surveillance technology. It is designed to enhance image quality, particularly in scenarios with challenging lighting conditions where there may be pronounced variations in brightness and darkness within the same scene. Wide Dynamic Range of 120dB in AVAIVI Network Cameras represents an innovative solution for consistently achieving high-quality image capture, even in challenging lighting conditions. Its ability to intelligently adjust shutter speed and manage lighting discrepancies ensures that it produces clear and precise color images, making it an ideal choice for scenarios with varying light levels, including outdoor environments and entrances with marked lighting contrasts.



DEFOG

AVAIVI's cameras are equipped with Defog technology, a feature designed to enhance image clarity and visibility in adverse weather conditions, particularly when fog or mist may obscure the view. This technology ensures that cameras can deliver clear and crisp images, even in challenging environmental situations. AVAIVI's Defog technology is a valuable addition to their cameras, ensuring that users can maintain clear and reliable surveillance even when faced with adverse weather conditions. This feature contributes to enhanced security and situational awareness, making AVAIVI's cameras a dependable choice for various surveillance applications.

BUILT-IN MIC



The presence of a built-in microphone in AVAIVI Network Cameras is a valuable feature that enables seamless audio communication between operators and visitors. This microphone is not only instrumental in facilitating real-time audio interaction but also extends its functionality to serve as an effective alarm system in the event of specific incidents, such as perimeter intrusion, object removal, or loitering. Built-In Microphone feature in AVAIVI Network Cameras serves as a versatile tool for audio communication, documentation, and security enhancement. It ensures glitch-free interactions, supports audio recording, and is integrated into the camera's alarm and analytics systems, enhancing the overall effectiveness of the surveillance solution.

SD CARD SLOT



AVAIVI Network Cameras are equipped with Edge-Based SD Card Recording support, a valuable feature that enhances the usability and reliability of these cameras. This capability not only provides an additional layer of data storage but also serves as a fail-safe in the event of network or server disruptions. Edge-Based SD Card Recording in AVAIVI Network Cameras is a pivotal feature that enhances usability and reliability. It ensures continuous data recording and acts as a safeguard during network or server issues, guaranteeing data retention in critical situations. This feature empowers users with greater control and convenience in managing and accessing recorded surveillance data.

AUTOMATIC NETWORK REPLENISHMENT (ANR)



AVAIVI Cameras and NVRs are equipped with a valuable feature known as Automatic Network Replenishment. This feature acts as a safeguard against data loss caused by sudden internet outages. When the connection to the camera is lost, this feature triggers continuous recording on the camera itself, with the recorded videos being stored on an SD card. Once the network connection is reestablished, the NVR seamlessly retrieves the missed videos from the SD card, ensuring that no data is lost. Automatic Network Replenishment in AVAIVI NVRs is a crucial feature that ensures data continuity during network outages. By storing videos locally on an SD card and then retrieving them once the network connection is reestablished, it safeguards against data loss and ensures the completeness of the surveillance record. This feature is especially valuable for critical security applications where uninterrupted data retention is essential.

ONVIF G, M, S, T



AVAIVI Security Systems support ONVIF profiles G, M, S and T to ensure effective interoperability of our Network Cameras with other industry products. All our IP products are 100% ONVIF compliant and support all the features like video & audio streaming, pan-tilt-zoom control & relay output, site info & configuration, event & alarm management, etc.

AI POWERED VIDEO CONTENT ANALYTICS



The inbuilt AI-powered Video Analytics packs cutting-edge concepts and delivers more efficient, streamlined and hassle-free video assessment. It deploys artificial intelligence to cameras by analysing video content in real-time and fetches suitable inferences. It reliably detects, tracks and analyses object

in its field of view and alerts users with preset alarms on incidents. A smart system of alarm rules out false alarms to minimum and makes surveillance from AVAIVI Network Cameras more automated requiring minimal human intervention. Clubbed with features like Advanced motion detection, Camera tampering detection, People counting, Region entrance detection, Region departure detection, Line crossing detection, Loitering detection, Human presence detection, Left Object detection, Object removal detection, etc, AVAIVI AI-Powered Video Analytics makes for a holistic and all-inclusive surveillance solution for every organization's security requirements.



IR-50 m

Smart IR Technology, a feature integrated into AVAIVI Network Cameras, is designed to enhance image quality in low-light or nighttime surveillance scenarios. It achieves this by automatically adjusting the intensity of IR (Infrared) lighting to ensure high-quality images. This technology is particularly valuable in situations where the object under surveillance is positioned too close to the IR LEDs, helping to eliminate over-exposure and producing usable videos. Smart IR Technology in AVAIVI Network Cameras is a valuable feature for enhancing image quality in low-light and nighttime surveillance situations. By intelligently adjusting the IR lighting intensity, it prevents over-exposure and ensures that the camera captures usable, high-quality videos even when objects are close to the IR LEDs. This technology is instrumental for a wide range of security and surveillance applications.

POWER OVER ETHERNET (PoE)



AVAIVI's Power Over Ethernet (PoE) camera is a network camera that is designed to be powered and connected to the network using PoE technology. These cameras offer the convenience of a single-cable solution for both power and data transmission, simplifying installation and reducing costs. AVAIVI's PoE cameras provide a practical and cost-effective solution for powering and connecting network cameras in a wide range of surveillance scenarios. Their reliability, remote management capabilities, and adherence to industry standards make them a valuable choice for security and surveillance applications.



IP67

IP67

AVAIVI's IP67 rated CCTV camera is a high-quality surveillance camera designed to meet the IP67 Ingress Protection standard for protection against solids and liquids. This camera is ideal for outdoor and challenging environments where protection against dust and water ingress is critical. AVAIVI's IP67 rated CCTV camera is a reliable choice for various surveillance applications, especially in settings where protection against dust and water is essential. Whether you need to monitor a parking lot, industrial site, or any outdoor area, AVAIVI's IP67 camera can provide dependable security and surveillance solutions.

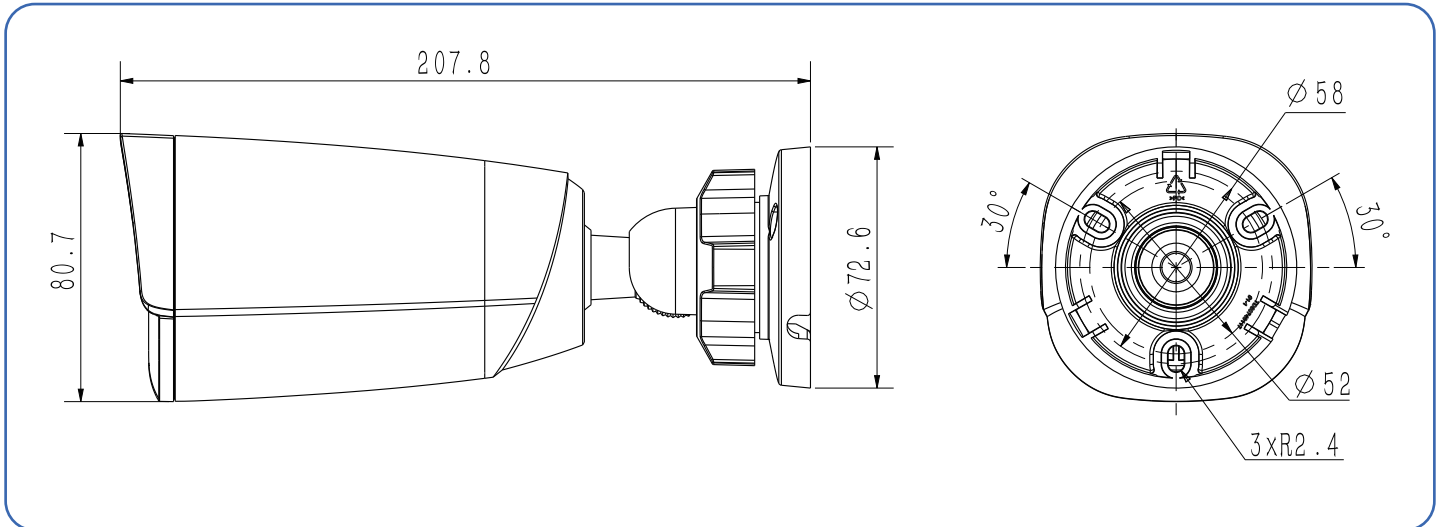
4MP FIXED LENS NETWORK BULLET CAMERA

| CAMERA | |
|-------------------------------|---|
| Image Sensor | 1/2.7" Progressive Scan CMOS (0.344) |
| Maximum Resolution | 2560 (H) × 1440 (V) |
| Signal System | PAL/NTSC |
| Min. Illumination | Color: 0.001Lux@F1.4, B/W: 0Lux with IR on |
| Shutter Speed | Auto/Manual 1s ~ 1/100000s |
| Day/Night | Dual IR Cut Filter with Auto Switch |
| S/N Ratio | >58dB |
| Angle Adjustment | Pan 0 ~ 345°, Tilt 0 ~ 75°, Rotation 0 ~ 360° |
| LENS | |
| Lens Type | Fixed |
| Focal Length | 2.8mm |
| Lens Mount | M12 |
| Optical Zoom | N/A |
| Digital Zoom | 16x Digital Zoom |
| Field of View | Horizontal: 104.3°, Vertical: 56.7° |
| Aperture | F1.4 |
| Iris Type | Fixed Iris |
| VIDEO | |
| Video Compression | H.265+, H.265, H.264H, H.264M, H.264B |
| Streaming Capability | Dual Streams Individually configurable |
| Main Stream | PAL: 25fps (2560x1440, 2304x1296, 1920x1080, 1280x720) NTSC: 30fps (2560x1440, 2304x1296, 1920x1080, 1280x720) |
| Sub Stream | PAL: 25fps (704x576, 704x288, 640x360, 352x288) NTSC: 30fps (704x480, 704x240, 640x360, 352x240) |
| Third Stream | N/A |
| Video Bit Rate | 32Kbps~6Mbps (CBR/VBR Adjustable) |
| IMAGE | |
| Wide Dynamic Range (WDR) | 120dB |
| Back Light Compensation (BLC) | Supported |
| High Light Compensation (HLC) | Supported |
| Picture Overlay | N/A |

| | |
|-------------------------------|---|
| Auto Exposure | Auto Level Control |
| Image Setting | Saturation, Brightness, Contrast, Sharpness, Image Rotation |
| Image Enhancement Function | AWB, AGC |
| Noise Reduction | 3D DNR |
| Smart Defog | Supported |
| Privacy Masking | Supported (4 Regions) |
| ROI | Supported (8 Regions) |
| EIS | N/A |
| AUDIO | |
| Audio Compression | G.711A/G.711U/ADPCM_D |
| Audio Streaming | One-Way Audio |
| Audio Input | N/A |
| Audio Output | N/A |
| Built-in-Mic | Supported |
| Built-in Speaker | N/A |
| SMART EVENTS | |
| Event Trigger | Motion Detection, Mask Alarm, IP Address Conflict |
| Video Content Analytics (VCA) | Tripwire, Perimeter-Intrusion, Enter, Leave |
| LOCAL STORAGE | |
| Memory Card Slot | Built-in Micro SD card slot, up to 512GB |
| ANR | Supported (Only Support with AVAIVI ANR Enabled NVR) |
| ALARM INTERFACE | |
| Alarm Input | N/A |
| Alarm Output | N/A |
| NETWORK | |
| Ethernet | 1 x RJ45 10M/100M Self Adaptive Ethernet Port |
| IP Support | Static, Dynamic |
| Protocol | HTTP, TCP/IP, UDP, ICMP,DHCP, DNS, NTP,IPv4, Telnet, RTSP, P2P, NFS |
| IP Address Filtering | Supported |
| Multi Level User ID/ Password | Supported |
| SIP/VoIP | N/A |
| Web Viewer | IE, Chrome, Firefox, Safari |
| Management Software | AVAIVI-CMS |

| | |
|-----------------------|------------------------------|
| Mobile Application | VideoSight |
| P2P Cloud | Supported |
| System Compatibility | Onvif Profile G, M, S, T |
| User/Host | 5 |
| ILLUMINATOR | |
| IR LEDs | 2 |
| IR Distance | Up to 50m 164.04 ft.) |
| Wavelength | 850nm |
| White/Warm light LEDs | N/A |
| ENVIRONMENTAL | |
| Power Supply | PoE (802.3af) |
| Power Consumption | 6W Max (With IR on) |
| Operating Temperature | -40°C~60°C, Less than 95% RH |
| Ingress Protection | IP67 |
| Vandal Resistance | N/A |
| Heater | N/A |
| Casing | Metal+Plastic |
| Dimensions | 208 × 81 x 81mm |
| Weight | 320g |

EXPLODED VIEW



ABOUT AVAIVI

AVAIVI is a dynamic and innovative DPIIT recognised Startup Company for its commitment to driving excellence, fostering innovation, and contributing to Bharat's burgeoning entrepreneurial landscape. AVAIVI specialises in providing cutting-edge Audio-Visual Solutions, AI-based Software and Security & Surveillance Technology.

AV Technology: AVAIVI's state-of-the-art audio-visual solutions redefine how information is presented and shared. Our innovative AV solutions include interactive displays, digital signage, audio systems, and immersive multimedia experiences.

AI Software Suite: From predictive analytics to process optimization, our AI-based software applications empower organizations to make informed decisions, streamline operations, and stay ahead in a rapidly evolving digital landscape.

Video Surveillance: AVAIVI's expertise in CCTV security surveillance technology goes beyond traditional monitoring. Our comprehensive solutions encompass advanced camera systems, intelligent video analytics, and remote monitoring capabilities.

Disclaimer: The information provided in this product datasheet is intended for general informational purposes only. While we strive to ensure the accuracy and reliability of the information presented. It is important to note that product specifications and features may change without prior notice.